



**20X SERIES 200 MM
WAFER TRANSPORT CARRIERS**

High performance in a closed side wall configuration



Advanced Wafer Transport

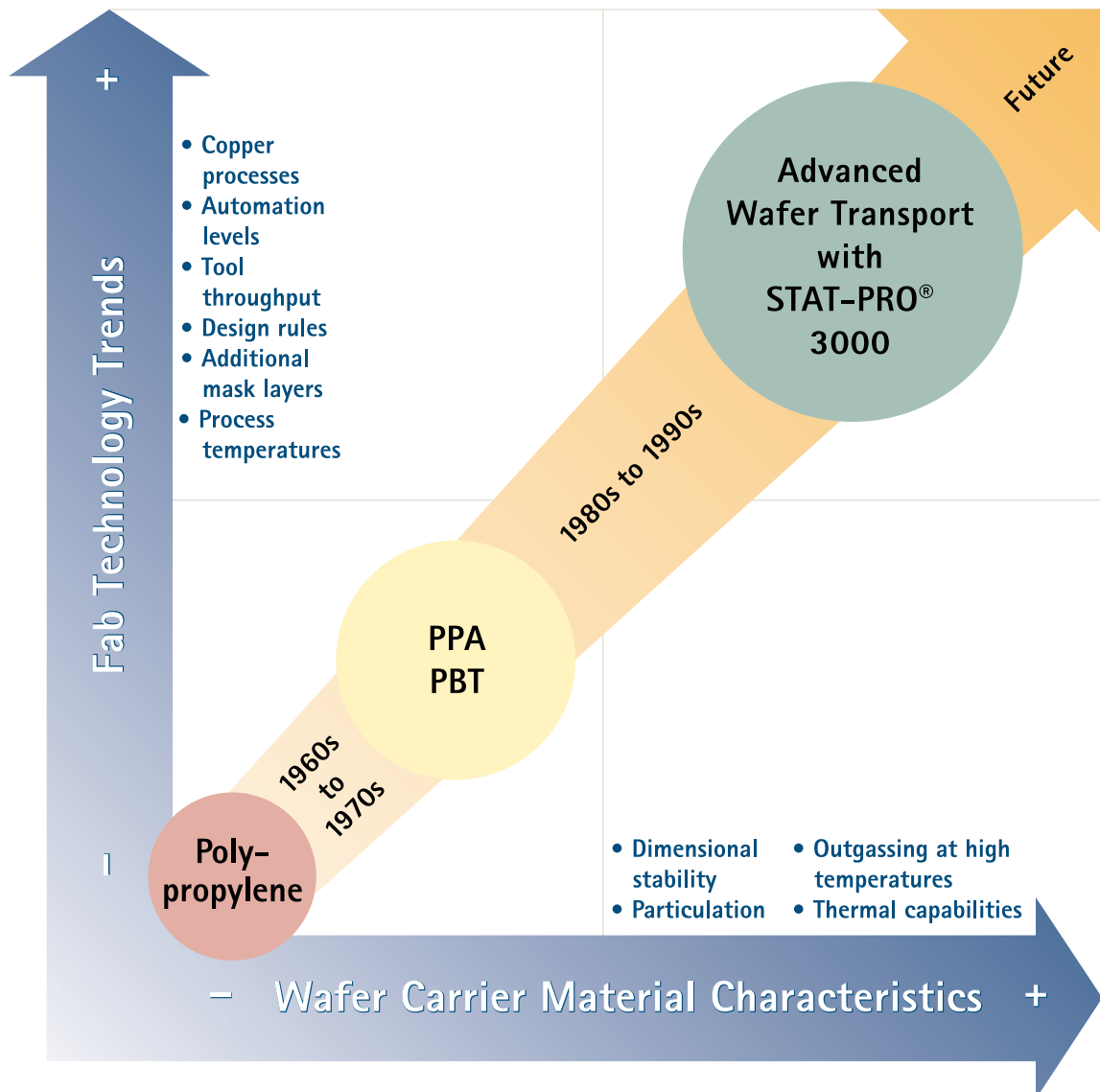
Trends in wafer processing technology have mandated advancements in wafer carrier technology to support today's advanced semiconductor processing facilities. Wafer carriers designed for **advanced wafer transport** offer dramatic performance benefits over traditional low and mid-range wafer carriers, including:

- *Precise wafer access* – the wafer is in a precise and predictable location
- *Reliable equipment operation* – on process tools and automated materials handling systems
- *Secure wafer protection* – from contamination and damage

The 20X Series 200 mm Wafer Transport Carrier is a component of Silicon Delivery™ Systems and Services – Entegris' unique materials integrity management solution to cost-effectively manage silicon from production to consumption. This offering brings together wafer and device handling systems and services into a customized, coordinated package that works for you.

General Specifications

- Closed side wall style
- Locating track notches at the center of the thirteenth pocket
- Pins and holes on the top rail (unless noted)
- Wafer capacity: 25
- D1 dimension: 25.4 mm (1.00")
- Pocket spacing: 6.4 mm (0.25")
- Pocket flat: 1.7 mm (0.07")



Configurations

Advanced wafer transport carriers shown in bold.

Part Number	End Wall Configuration	"H" bar End Flanges	Compatible Boxes	Material	Notes
KA202-80S-47C02	Flanges ³	Yes	E99, E210, HA200	STAT-PRO® 3000	No pins and holes
KA202-80SH-47C02	Handle ² , flanges ³	Yes	E99, E210, HA200	STAT-PRO® 3000	
KA202-80SHH-47C02	Handle ¹ , flanges ³	Yes	E99, E210, HA200	STAT-PRO® 3000	
XT203-0100	Handle ² , flanges ³	Yes	E99, E210, HA200	EMSTAT™ AR+	
XT203-0200	Flanges ³	Yes	E99, E210, HA200	EMSTAT™ AR+	
XT203-0500	Handle ¹ , flanges ³	Yes	E99, E210, HA200	EMSTAT™ AR+	

¹ Standard size, high position ² Standard size, mid position ³ Standard radiused outboard

Migration Paths

Migration paths allow you to move up to advanced wafer transport carriers as your needs change.

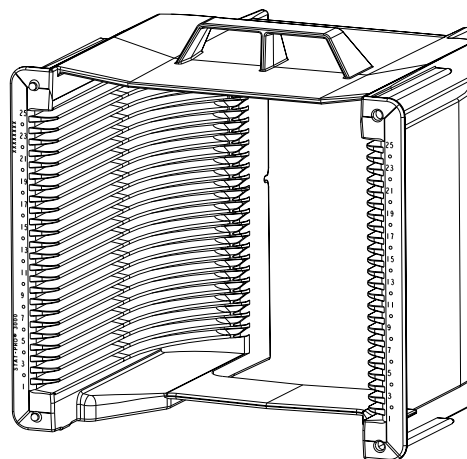
Wafer Transport Carrier	Advanced Wafer Transport Carrier
XT203-0100	KA202-80SH-47C02 KA250-02X-11X-00X
XT203-0200	KA202-80S-47C02 KA250-02X-06X-00X
XT203-0500	KA202-80SHH-47C02 KA250-02X-05X-00X

Identification Options

Entegris offers a variety of identification options for carrier identification, including:

- Laser marking
- Bar code labels
- Radio frequency tags
- Cardholders
- Colored ID tags

Contact Entegris to determine a suitable identification method for your application.



KA202-80SH-47C02

Material Specifications

STAT-PRO® 3000

- **Advanced wafer transport carrier** material
- Static dissipative blend of polyetheretherketone PEEK™ and carbon fiber
- Temperature limits: Continuous use: 120°C
Wafer insertion: 340°C

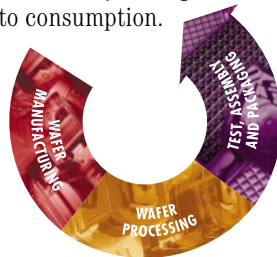
EMSTAT™ AR+

- Wafer transport carrier material
- Static dissipative blend of polypropylene, carbon powder and PTFE
- Temperature limits: Continuous use: 55°C
Wafer insertion: 70°C

Silicon Delivery™ Systems and Services

To optimize wafer and device handling in your facilities, Entegris offers Silicon Delivery™ Systems and Services – our unique materials integrity management solution to cost-effectively manage silicon from production to consumption.

Utilizing our systems and services capabilities, Entegris will work with you to develop a customized, coordinated package to address your individual requirements.



Wafer Handling Systems

- Raw wafer processing and shipping
- Wafer processing
- Finished wafer shipping and handling
- Related product handling
- Handling product cleaning systems

Device Handling Systems

- Finished wafer shipping and handling
- Bare die shipping and handling
- Packaged device shipping and handling
- Handling product cleaning systems

WaferCare™ and DeviceCare™ Services

- Certified reuse and recycle
- Product cleaning
- Logistics management
- On-site and off-site programs

Entegris™, Silicon Delivery™, WaferCare™ and DeviceCare™ are trademarks of Entegris, Inc.
STAT-PRO®, AutoPod™ and FluoroPure® are trademarks of Fluoroware, Inc.
EMSTAT™ is a trademark of EMPAK, Inc.
PEEK™ is a trademark of Victrex plc.

For More Information

To find out more about what Entegris can do for you, please call one of our Regional Customer Service Centers today.

Entegris Regional Customer Service Centers

	Telephone	Fax
North America	952-556-4181	952-556-8022
North America Toll Free	800-394-4083	800-763-5820
Europe	49-7264-9158-0	49-7264-9158-927
Japan	81-3-5769-7800	81-3-5769-7845
Malaysia	604-403-1266	604-403-1262
Korea	82-31-738-1181	82-31-738-1191
Taiwan	886-3-5633598	886-3-5633521
	886-3-5633552	

Terms and Conditions of Sale

WARRANTY – Entegris warrants each new product against defects in materials and workmanship for the following periods of time from shipment: Microelectronics Group products, Custom products – 90 days; Entegris™ Cleaning Systems and AutoPod™ Wafer Carriers – 1 year; Fluid Handling Group products (except as separately identified below) including FluoroPure® Chemical Container products – 1 year; Sheetlined Chemical Container products and FluoroPure® PFA Liners (blistering, cracking or leakage only) – 18 months; FluoroPure® o-rings and gasket materials – 90 days. Entegris makes no warranty, express or implied, with respect to any components, products or services provided by any third party. With respect to products specially manufactured to Buyer's specifications, Entegris warrants only that such products have been manufactured, without testing, to Buyer's specifications but makes no other warranty, express or implied. Upon Entegris' confirmation of defects, Entegris agrees, as its **exclusive remedy** to repair or, in its discretion, replace defective product without charge. Entegris is not responsible for product damage resulting from accident, misuse, or lack of reasonable care.

IMPORTANT: No other warranty, written or verbal, is authorized by Entegris. Entegris is not liable for any special, incidental or consequential damages. Implied warranties of merchantability and fitness for a particular purpose are specifically disclaimed.

ENTEGRIS, INC.

Corporate Headquarters / 3500 Lyman Boulevard / Chaska, Minnesota 55318 USA
Customer Service Tel. 952-556-4181 / Customer Service Fax 952-556-8022 / www.entegris.com